



TRIO FDS 35 SKINNING MACHINE



NEW!

TRIO FDS 35

The FDS 35 is the new industrial scale freeze drum skinning machine from Trio

The machine can be supplied in two versions;

FDS 35 Basic - the same principles as FDS3N

FDS 35 Industrial - stable knife system for increased yield

The new Trio FDS 35 Industrial skinning machine will increase yield by 2-5% compared to older Trio skinning machines.

The new design is more hygienic and makes the FDS 35 skinning machine easier and safer to operate and service.

The FDS 35 is designed on a substantial steel frame made from 18/8 stainless steel. All parts that come into contact with the fish are made from stainless steel or plastic.

The new knife section ensures longer life for the bandknife and has a built-in sharpening device.

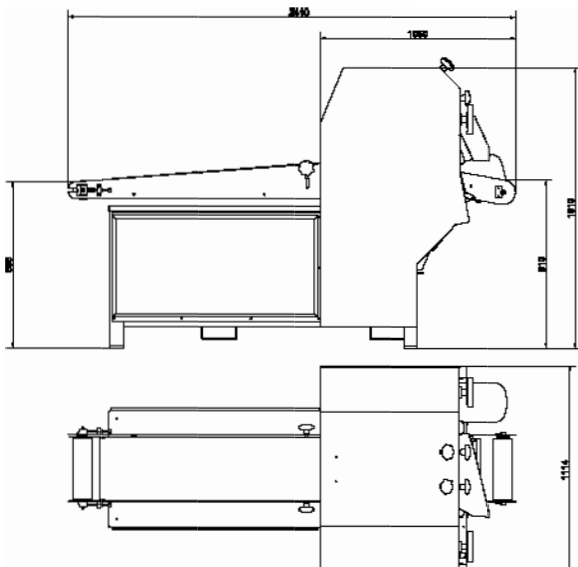
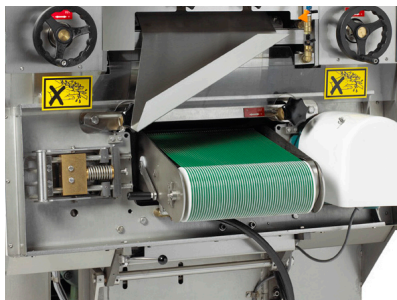
The machine has an integrated cooling system, but can also be supplied for connection to a main freezing plant, either based on freon or Ammonia.

Conveyor length and design can be adapted to customers' process and can be fitted for easy switching between skin-on and skin-off production.

The machine operates on the principle that the skin of the fillet freezes to the cold, rotating drum, and is thus held in position. (The freezing is approx. 1/10mm deep.) A rotating bandknife cuts the fillet away from the skin, and the skin is then scraped off the drum. The thickness of the cut, and thus the depth of the skinning is infinitely adjustable between 0-12mm. Fillets are sliced away from the skin without putting any strain on the fish meat or skin.

FDS skinning is particularly advantageous when:

- Deep skinning
- Skinning of fillets with no natural division between skin and meat
- Skinning of soft fillets or fillets with weak skin
- Skinning of flatfish for maximum yield and no tail splitting



TECHNICAL SPECIFICATIONS

TRIO FDS 35

OPERATORS
1-3 PERSONS

CAPACITY
APPROX. 200 MERLUZA OR HAKE
FILLETS PER MINUTE

CONVEYOR WIDTH
330 mm

REFRIGERANT
R-507

WATER CONSUMPTION
2-25 L/MIN

ELECTRICAL POWER
8,5 kW

WEIGHT
980 kg

DIMENSIONS
2410 x 1114 x 1510
(L x W x H)

ADDRESS

TRIO Food Processing Machinery AS
P.O.BOX 38 FORUS
NO-4064 STAVANGER, NORWAY
PHONE +47 51 81 67 00
FAX +47 51 81 67 01
WWW.TRIO.NO
SALES.FISH@TRIO.NO